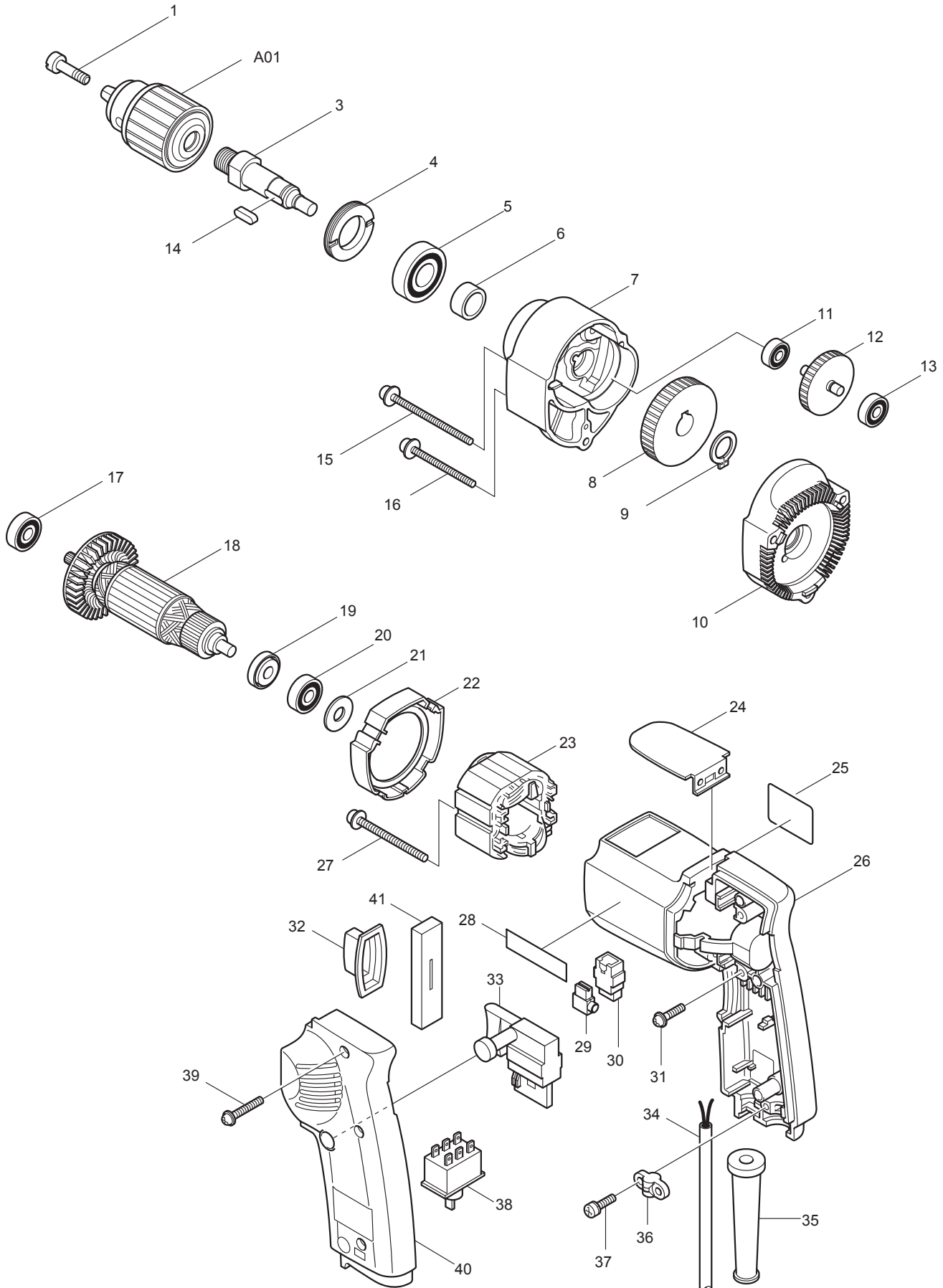




02 - 2010  
6303H / 6303HK  
1/2" DRILL V.S. 0-850RPM



Item No	Type	Ref	Part No	3C Description	Qty	Unit
001			251441-5	* - FLAT HEAD SCREW M6X22 (OLD)	1	PC.
003			324197-4	* SPINDLE (OLD# 321082-2 - N/L/A)	1	PC.
004			285807-7	BEARING RETAINER 22-36	1	PC.
005			211206-7	BALL BEARING 6202LLB	1	PC.
006			257018-4	RING 15	1	PC.
007			151765-8	GEAR HOUSING COMPLETE	1	PC.
		INC.	263002-9	RUBBER PIN 4	1	PC.
		INC.	951051-5	SPRING PIN 3-8	1	PC.
008			226224-2	SPUR GEAR 49	1	PC.
009			961054-1	RETAINING RING S-14	1	PC.
010			157904-8	GEAR HOUSING COVER COMPLETE	1	PC.
		INC.	263002-9	RUBBER PIN 4	2	PC.
011			211012-0	BALL BEARING 606ZZ (OLD# 211014-6)	1	PC.
012			226097-3	GEAR COMPLETE 10-46	1	PC.
013			211020-1	BALL BEARING 626Z	1	PC.
014			254211-1	KEY 5	1	PC.
015			911193-7	PAN HEAD SCREW M4X65	2	PC.
016			911178-3	PAN HEAD SCREW M4X50	1	PC.
017			211031-6	BALL BEARING 608LLB	1	PC.
018			511836-7	ARMATURE ASS'Y 115V	1	PC.
		INC.	241881-5	FAN 52	1	PC.
		INC.		Item No.17,19,20		
019			681614-0	INSULATION WASHER	1	PC.
020			211028-5	BALL BEARING 627LB	1	PC.
021			253192-6	FLAT WASHER 14	1	PC.
022			414594-3	BAFFLE PLATE	1	PC.
023			633056-4	FIELD 115V	1	PC.
024			343407-0	HOOK	1	PC.
025			851884-7	NAME PLATE 6303H	1	PC.
026			159010-5	MOTOR HOUSING COMPLETE	1	PC.
		INC.	263014-2	RUBBER PIN 4	1	PC.
027			911581-8	PAN HEAD SCREW M4X55	2	PC.
028			819063-3	MAKITA LABEL	1	PC.
029			686015-7	RECEPTACLE SLEEVE	2	PC.
030	2		195005-4	CARBON BRUSH CB-401 2PC/SET (W/ ORIGIN)	1	SET
031			911124-6	PAN HEAD SCREW M4X14	1	PC.
032			421144-7	DUST COVER	1	PC.
033			650208-2	* SWITCH TG833TB-1 (OLD# 651356-0)	1	PC.
034			664064-4	CORD W/PLUG 2P-18-2.5M, SJ	1	PC.
035			682502-4	CORD GUARD 8-85	1	PC.
036			687002-9	STRAIN RELIEF	1	PC.
037			911133-5	PAN HEAD SCREW M4X18	2	PC.
038			651478-6	SWITCH VTX11	1	PC.
039			911153-9	PAN HEAD SCREW M4X28	3	PC.
040	2		151865-4	HANDLE COVER COMPLETE (W/EN,FR LABEL)	1	PC.
		INC.	810981-8	WARNING LABEL	1	PC.
041			685717-2	SPONGE SHEET	1	PC.
042			411780-7	* KEY HOLDER 10 (OLD# 410102-8)	1	PC.
C01			843194-6	CARTON F/6302H, 6303H	1	PC.

Item No	Type	Ref	Part No	IC Description	Qty	Unit
<b>ACCESSORIES</b>		<b>- See catalogue or visit <a href="http://www.makita.ca">www.makita.ca</a> for more accessories information-</b>				
A01			763145-2	DRILL CHUCK S13	1	PC.
A02			763434-5	CHUCK KEY 10	1	PC.
	Opt.		763411-7A	CHUCK KEY	1	PC.
A03			122593-8	GRIP ASS'Y	1	PC.
		INC.	415485-1	GRIP BASE	1	PC.
		INC.	921919-9	HEX. BOLT M8X110	1	PC.
A04			824658-9	PLASTIC CARRYING CASE	1	PC.
A05			415486-9	DEPTH GAUGE	1	PC.

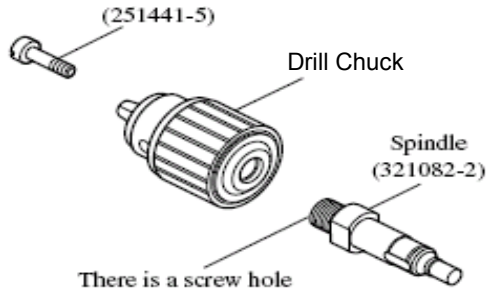
**SERVICE CHANGES**

**1. Changes on Spindle & Screw**

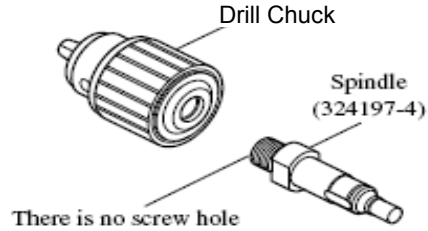
Item No.	Description	Type 1	Type 2
1	- Flat Head Screw	251441-5	-----
3	Spindle	321082-2	324197-4

Above parts are completely interchangeable as a set.

**Type1**



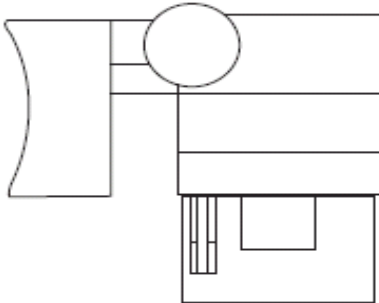
**Type2**



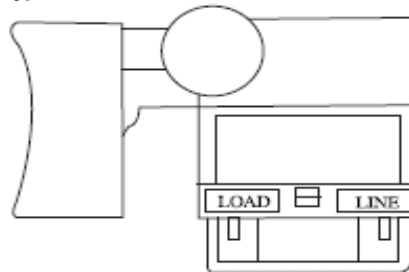
**2. Changes on Switch**

Item No.	Description	Type 1	Type 2
33	Switch	651356-0	650208-2
	Manufacturer	TYCO (EATON)	SATORI
	Catalogue No.	8907K307	TG833TB-1
	Rating	7A 125V -	7A 125V -

**Type1**



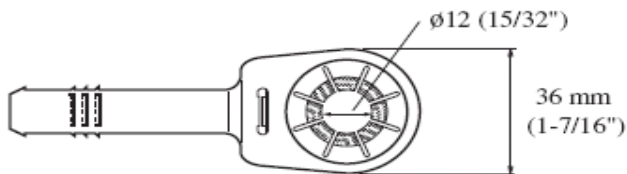
**Type2**



**3. Changes on Key Holder**

Item No.	Description	Type 1	Type 2
42	Key Holder	410102-8	411780-7

**Type1**



**Type2**

